

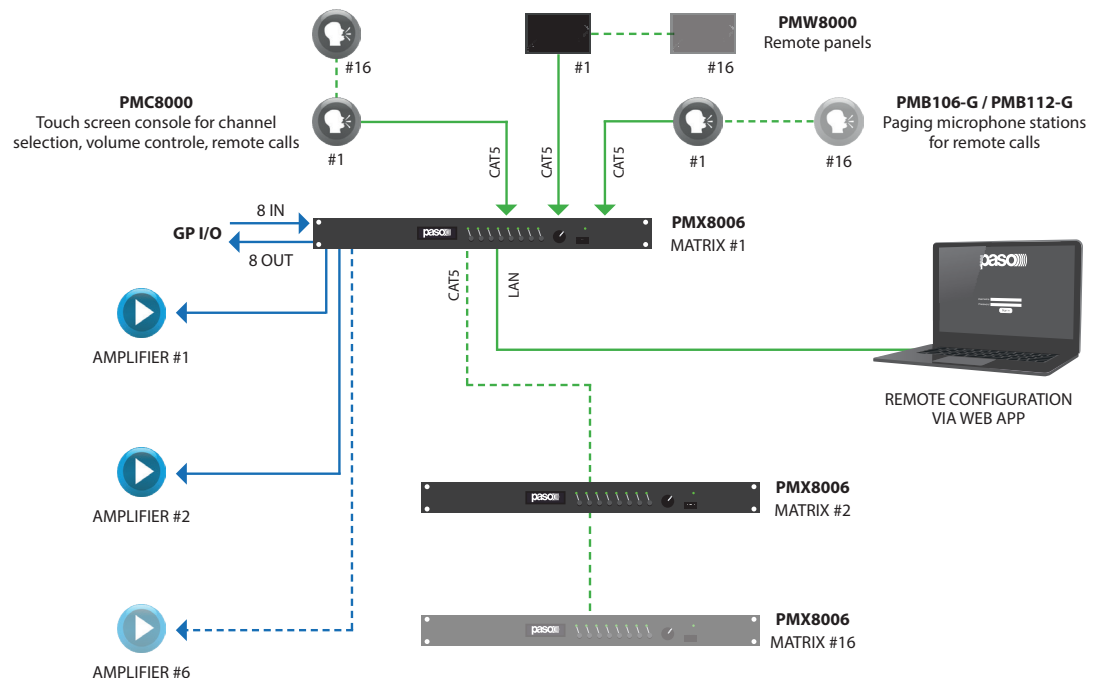
Digital Matrix
System
PMX8000 Series



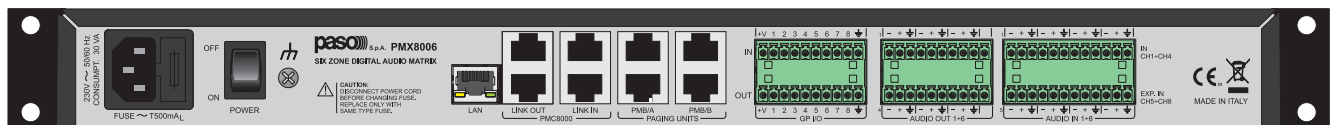
The new digital matrix **PMX8006** ideal for the **management of paging & background music** where **high sound quality** is required - e.g. shops, airports, stations, shopping malls, theme parks, places of worship, conference rooms, and wherever different music is needed in each area - with the possibility of **completely independent control for each area**.

MAIN FEATURES

- LCD display for local monitoring and settings.
- 6 dedicated outputs for the use of uncontrolled zone amplifiers.
- 4 dedicated inputs for background music playback, each with the option to set the VOX for priority function.
- 4 optional inputs for background music playback, using the **ACPAW-6IN** expansion card.
- 4 configurable RJ45 inputs for connecting via CAT5 SFTP cables the **PMW8000** remote panel, **PMC8000** touch screen console, **PMB106-G / PMB112-G** paging microphone stations, and LINK IN/OUT for other **PMX8006** matrices.
- Simultaneous playback of 6 pre-recorded messages stored in internal flash memory (.wav format files).
- Event timer programming.
- 8 programmable digital inputs.
- 8 open-collector outputs.
- LAN port.
- Vu-Meter for the 4 standard inputs.
- 3-band tone equalizer.
- Front USB port for .mp3 files playback.
- Configuration via web server or dedicated console.
- AES70/OCA interface.
- **Zone volume adjustment via:**
 - Front panel
 - Web server
 - PMC8000 console
 - PMW8000 remote panel
- **Zone source selection via:**
 - Front panel
 - Web server
 - PMC8000 console
 - PMW8000 remote panel



TECHNICAL SPECIFICATIONS	
Display	OLED 2.08" with resolution 256x64
USB Port	Standard Type A
LAN Port	Standard RJ45
PAGING UNITS (max 16) Sensitivity / Impedance Frequency response S/N ratio	RJ45 connector Signal level: Max 1400 mV / 85 kΩ 60 ÷ 20.000 Hz 83 dB
REMOTE PANEL (max 16) Sensitivity / Impedance Frequency response S/N ratio	RJ45 Connector Signal level: Max 1400 mV / 100 kΩ 30 ÷ 20.000 Hz / 85 dB
LINK (max 16) Output level / Impedance Sensitivity / Input impedance	RJ45 connector Max 2000 mV / 400 Ω 2000 mV / 50 kΩ
SOURCE INPUT Input level/ Impedance Sensitivity S/N ratio	Terminal blocks Max 2000 mV / 400 Ω 60 ÷ 20.000 Hz 84 dB
ZONE OUTPUT Output level/ Impedance S/N ratio	Terminal blocks Max 2000 mV / 400 Ω 84 dB
CONTROL IN/OUT Inputs Outputs	Terminal blocks 8 not controlled 8 open drain
General information	
Mains power supply	230 Vac 50/60 Hz ±10%
Consumption @230 Vac	30 VA
Operating environmental conditions	Temperature: +5°C ÷ +40°C Relative humidity: 25%-75% without condensation
Mounting	Direct, 19" rack (1 HE)
Product dimensions (W x H x D)	482 x 44 x 320 mm
Packaging dimensions (W x H x D)	522 x 60 x 400 mm
Net weight	4.5 kg
Gross weight	5.5 kg



PASO S.p.A.

Via Settembrini, 34 - 20045 Lainate (MI) - ITALY

+39.02.58077.1 | info@paso.it | www.paso.it | www.pasohelp.com

C.C.I.A. n. REA: MI-853.303 | C.F. - P. IVA n° 00930730155 | Registro A.E.E. IT08030000004137



PASO S.p.A. strive to improve their products continuously, and therefore reserve the right to make changes to the drawing and technical specifications at any time and without notice.

